

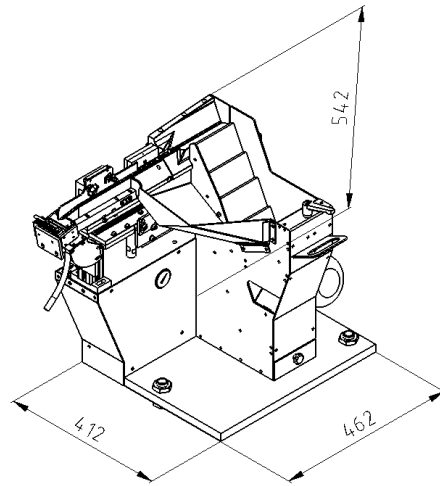
The new *FlexType ST* feeder | Compact, flexible, powerful and reproducible

An innovative solution for small high-volume parts

- With flexible step feeder
- Interchangeable orienting tools for part families
- Easy to service, easily accessible and easy to clean
- Very quiet and smooth running
- Particularly gentle on parts, thus also suitable for coated and fragile components
- 100% machine-made and fully reproducible for repeat orders
- Optional fragment separation and quick emptying
- Attractive price and fast delivery

Dimensions:

Step width (mm):	120
Step depth (mm):	10
Strokes/min:	20



Characteristics of the system

Thanks to a standardized basic structure, short delivery times are guaranteed.

Fast changeover for different formats by means of quick-change elements for the orienting and accumulating rail ensure flexibility and cost-effective investment.

In addition:

Minimal relative movement between the parts enables gentle handling and low noise levels.

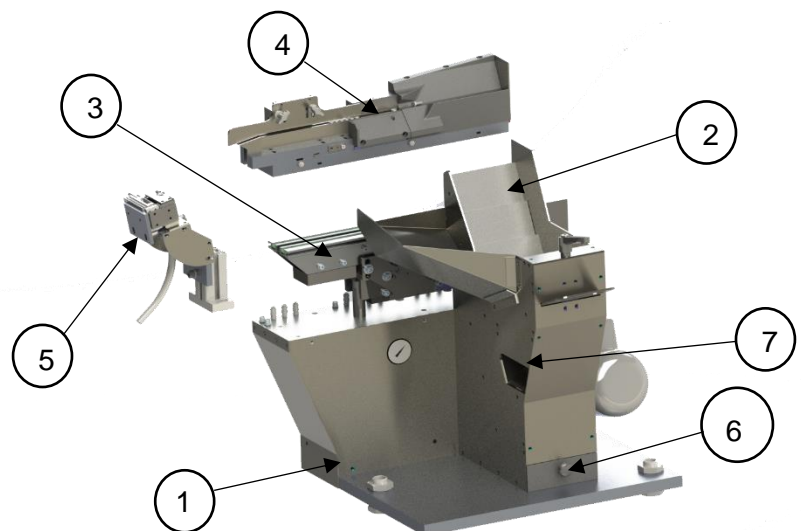
The innovative, low-vibration linear drive (SLA) ensures a minimum-gap interface at the transition to your machine.

An optional escapement unit with blow feeder, also with quick-change device, can be supplied.

Technical data:

Item	Product name
1	Basic design
2	Step feeder
3	Linear feeder
4	Orienting and accumulating rail
5*	Escapement
6*	Collecting drawer for fragments
7*	Chute for quick emptying

* optional elements



For more technical information, please call +49 (0)241/5109-0.



Rhein-Nadel Automation GmbH
Reichsweg 19-23 · D-52068 Aachen
Phone: +49 (0) 241 / 5109-0 · Fax: +49 (0) 241 / 5109-219
E-mail: vertrieb@RNA.de · www.RNA.de