



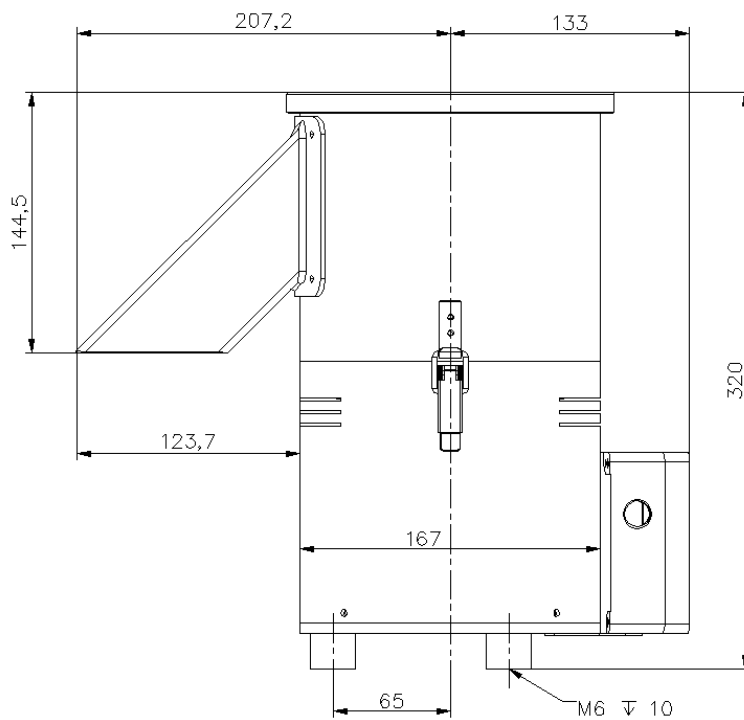
Spring Untangler FE-160S / high efficiency at low cost

- For small to medium-size springs
- High reliability and untangling quote
- Integrable between hopper and bowl feeder or between two bowl feeders (for stockage and sorting)
- Housing made of stainless steel
- External On/Off switch with additional fuse

The RNA spring untangler is designed to untangle intertwined springs in order to use the untangled springs in the next process or to dispense the springs for the next device respectively. The spring untangler is often used together with a bowl feeder or a hopper to store and then feed the springs to the untangler, which then feeds the untangled springs to another bowl feeder for sorting.

Technical data:

	UNIT	VALUE
Voltage	-	220V, 50Hz
Performance	W	90
Ampacity	A	0,4
Torque	U/min	1350
Type of protection	-	IP54
Temperature	°C	0 - 40
Humidity	%	10 - 90
Weight	kg	12



Rhein-Nadel Automation GmbH
 Reichsweg 19-23 · D-52068 Aachen
 Telefon: +49 (0)241 / 5109-0 · Fax: +49 (0)241 / 5109-219
 Email: vertrieb@RNA.de · www.RNA.de